

Connector Thumbwheel

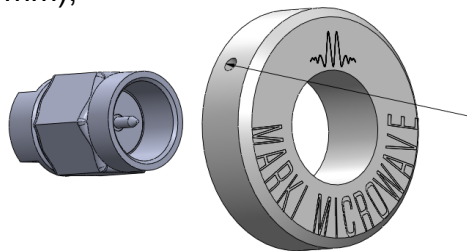
TW-1

Features

- Convenient, easy-grip jacket for effortless loosening
- Fits SMA, K (2.92 mm), and V (2.4 mm) connectors
- No wrench required for tightening and loosening connections
- Highly beneficial for production testing
- Anodized finish won't scratch or corrode



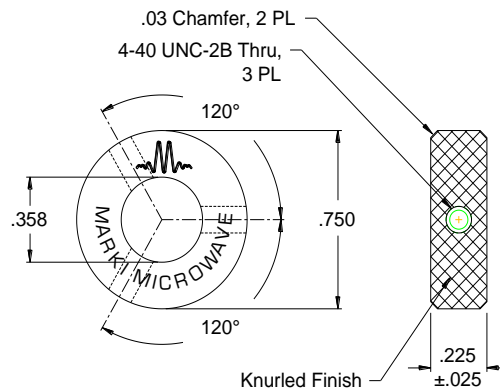
Connect to SMA, K (2.92 mm),
 or V (2.4 mm) Connector



.050" Hex Set
 Screw Fixes
 Thumbwheel
 Position

Connector Thumbwheel: Put the Wrench Away

The unique Marki Microwave Connector Thumbwheel attaches to microwave and RF connectors of many different types, allowing quick and secure connections between components and test equipment without the use of a torque wrench. It is secured with three included .050" hex set screws for a solid attachment to the connector. Recommended for easy connections on all microwave and RF test equipment.



Price (qty 25):

\$9.95

*Minimum order value waived for orders of 25 or more.

Marki Microwave reserves the right to make changes to the product(s) or information contained herein without notice. Marki Microwave makes no warranty, representation or guarantee regarding the suitability of its products for any particular purpose, nor does Marki Microwave assume any liability whatsoever arising out of the use of or application of any product.