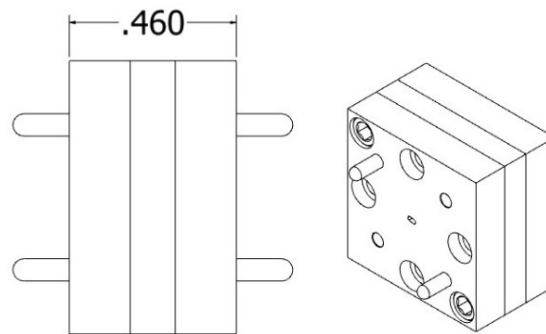
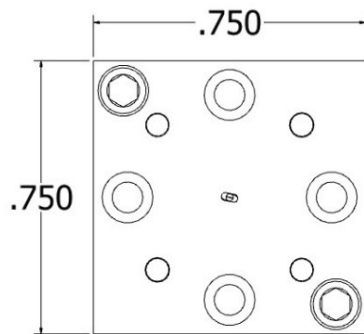
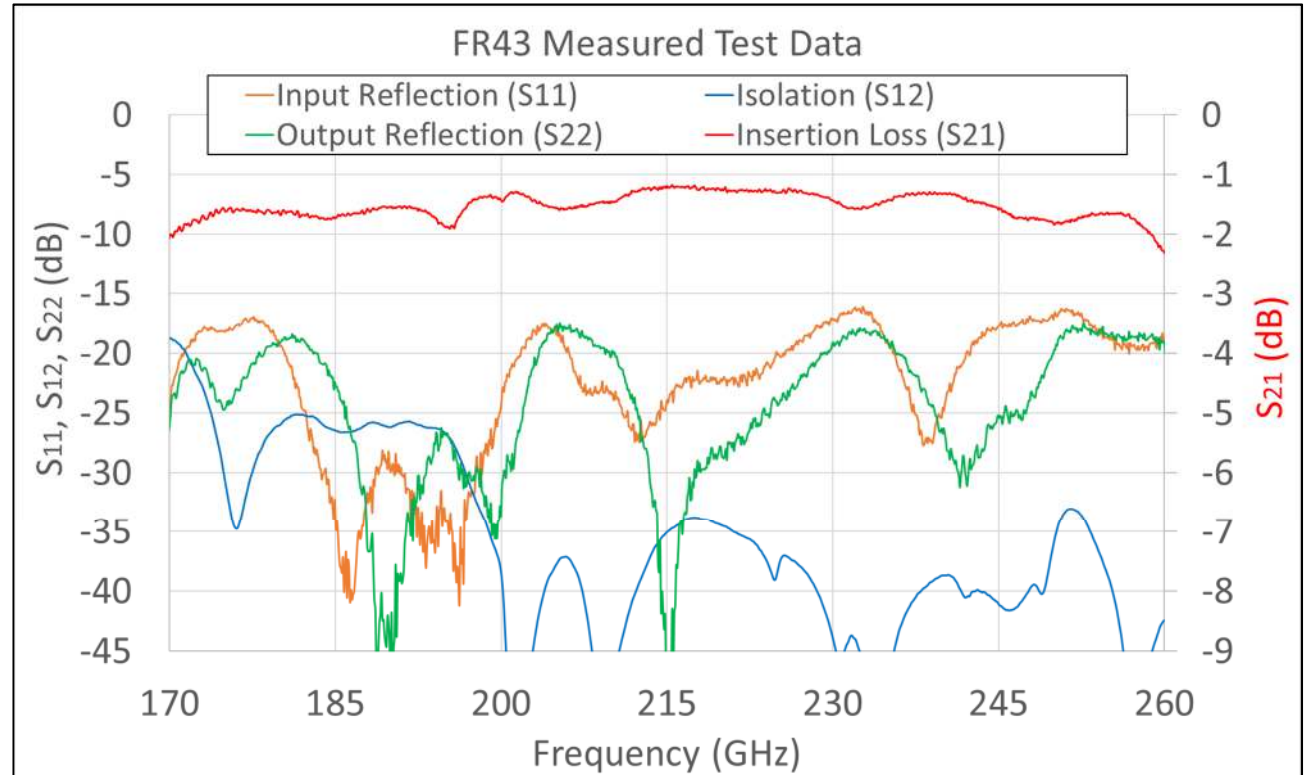


# Model: FR43-FL

## Specifications

Flange	WR-4.3
Frequency (GHz)	170-260
Insertion Loss (dB, typ)	1.9
Insertion Loss (dB, max)	3.8
Isolation (dB, typ)	20
Isolation (dB, min)	18
Input Return Loss (dB, typ)	20
Output Return Loss (dB, typ)	20
VSWR (max)	1.5:1
Maximum Power (W)	0.6
Diamond Heatsink	Yes

Every isolator is tested on a vector network analyzer to ensure conformity.



上海馥莱电子有限公司  
 021-5291 8556  
 137-6444-1515  
 sales@fulai-elec.com  
 www.fulai-elec.com