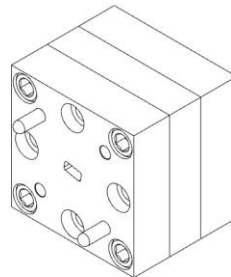
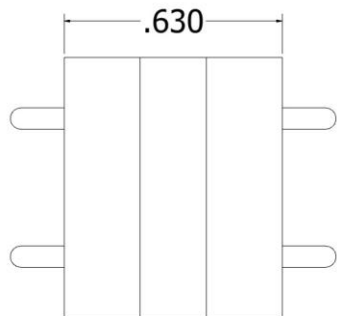
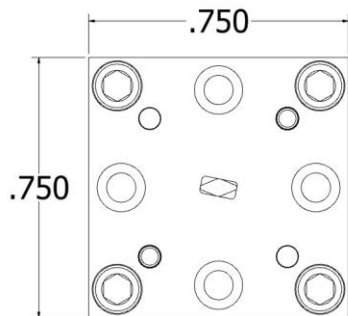
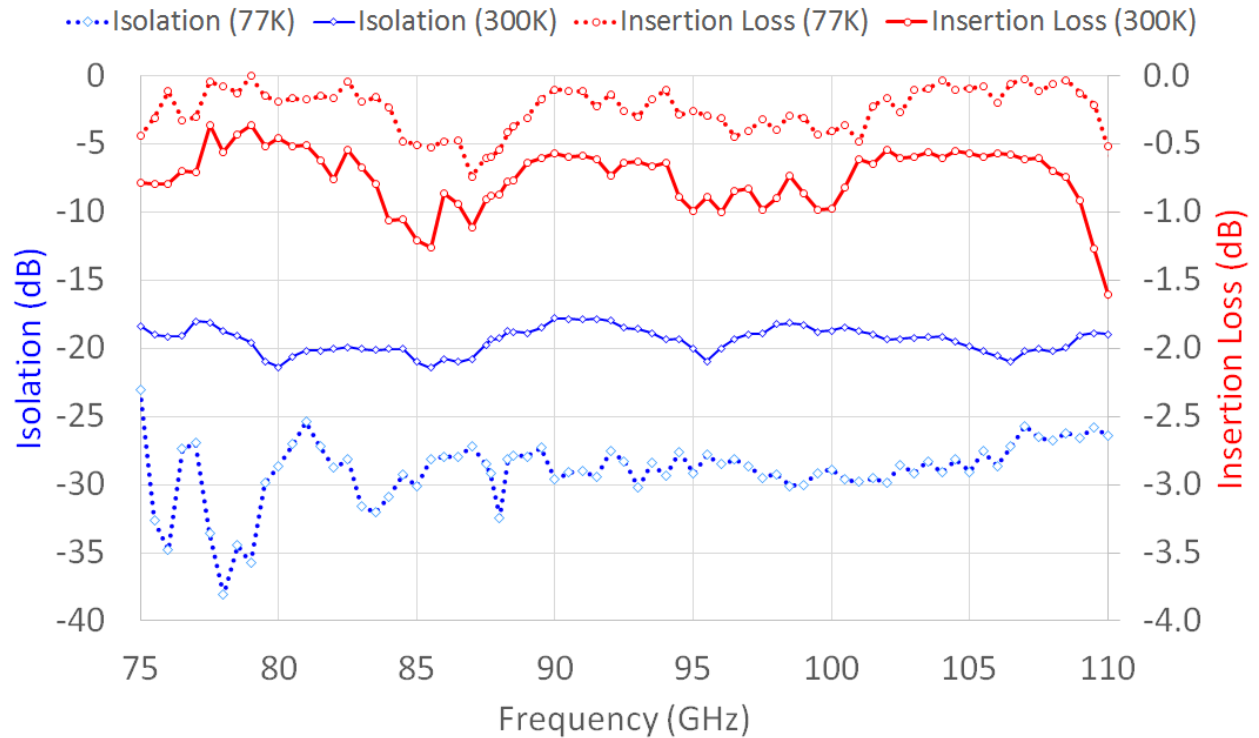


Model: FR100C-FL

Specifications

Flange	WR-10
Frequency (GHz)	75-110
Insertion Loss (dB, typ, 300K)	0.9
Insertion Loss (dB, typ, 77 K)	0.4
Isolation (dB, typ, 300 K)	19
Isolation (dB, typ, 77 K)	26
Input Return Loss (dB, typ)	20
Output Return Loss (dB, typ)	20
VSWR (max)	1.4:1
Maximum Power (W)	1.0
Diamond Heatsink	No

Every isolator is tested on a vector network analyzer to ensure conformity.



上海馥莱电子有限公司
 021-5291 8556
 137-6444-1515
 sales@fulai-elec.com
 www.fulai-elec.com

