

18-40GHz Low Noise Amplifier

Product Overview



AT-LNA-1840-3335Y is high gain low noise amplifier with 33dB gain in the frequency of 18-40GHz. The DC power requirement is +8V/200mA. The module is with 2.92mm connector.

The power amplifier has high gain, high linearity, low input/output return loss and flat gain response.

More information, please visit www.atmicrowave.com

Advantages

- ✓ Frequency: 18-40GHz
- ✓ Small signal gain: 33dB
- ✓ NF=3.5dB
- ✓ Single Power Supply

Application

- ✓ 5G Communication
- ✓ Test Equipment
- ✓ ROF (RF Over Fiber)
- ✓ Radar System

Key Features

Parameter	Min	Typical	Max
Frequency		18-40GHz	
Gain	30	33dB	
NF		3.5	4.5
P1Db		+13dBm	
Drain Supply	+5.5V	+8V	+10V
Current		200 mA	
Input VSWR		1.5	2.0
Output VSWR		1.5	2.5
Dimension		45x34x8.5 mm	
Connector		2.92mm Female	





AT-LNA-1840-3335Y

18-40GHz Low Noise Amplifier

Absolute Maximum Ratings Table

Parameter	Value
Drain Supply	+13V
RF Input Power	-5 dBm
Operating Temperature	-40 to + 85C
Storage Temperature	-65 to +150C

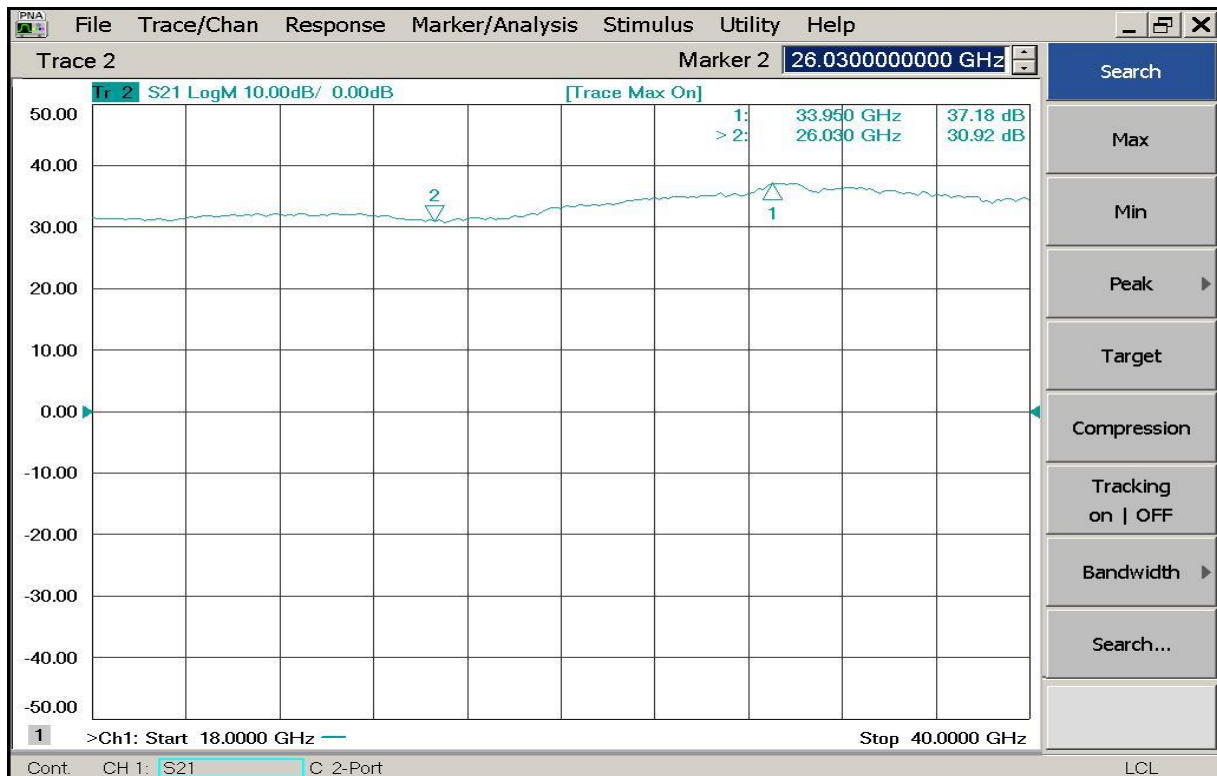
Caution:

Please pay attention to the case temperature. If case temperature exceed higher than +50C, heat sink and fan are required, or the amplifier may be damaged.

Notes:

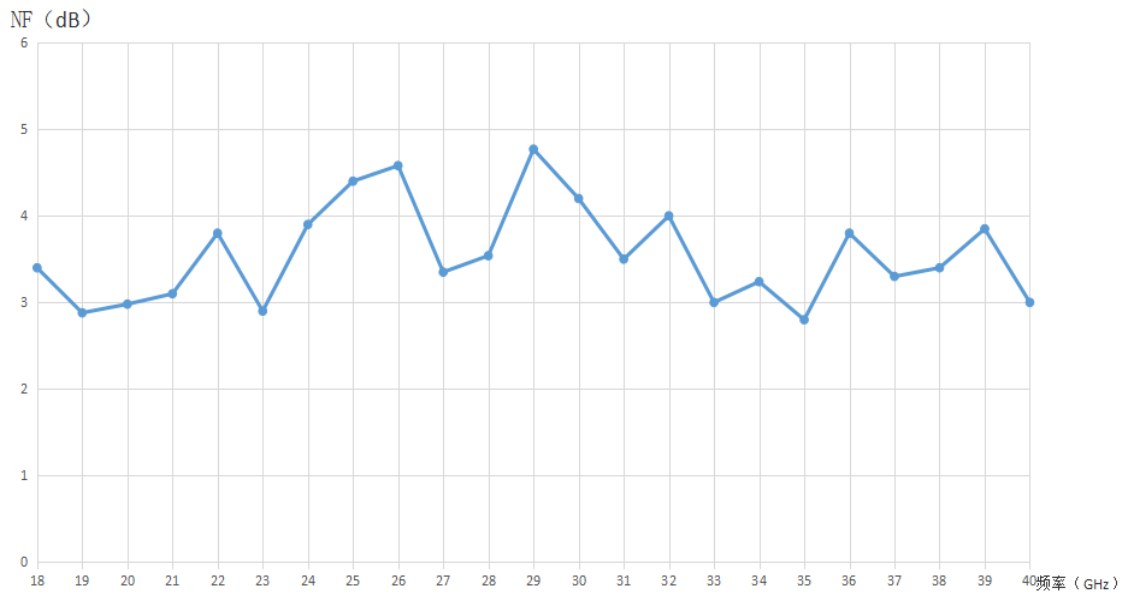
1. Datasheet may be changed according to update of MMIC, Raw materials , process, and so on.
2. This data is only for reference, not for guaranteed specifications.
3. Please contact AT Microwave team to make sure you have the most current data.

Test Data



Gain VS Frequency (input= -25dBm)



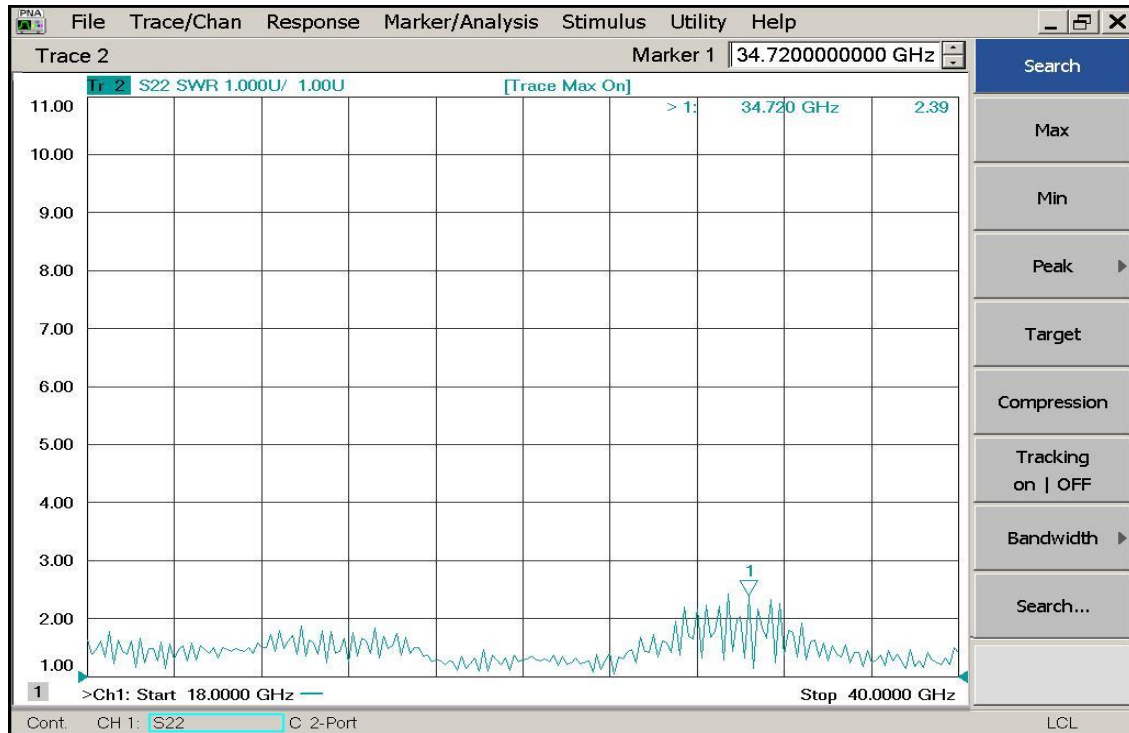


NF Vs Frequency



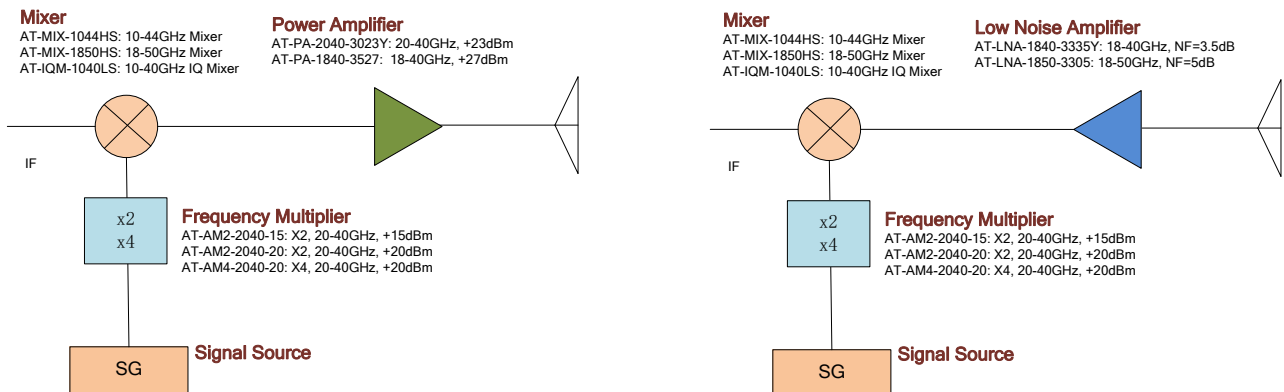
INPUT VSWR



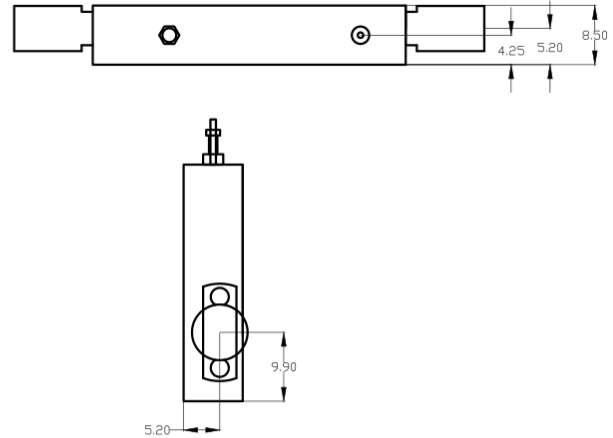
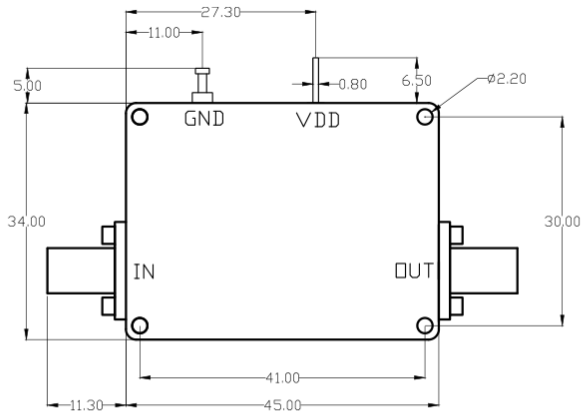


OUTPUT VSWR

18-40GHz Solution



Dimension: (unit in mm)



In millimetres

The 11.30 size marked is 1.85mm female connector

if use SMA female the size is 9.4 and 2.92mm female is 9.5

Heat Sink Required If Case Temp Higher Than 50C

