

Description

Mi-Wave's 660, 661, 662 Series E-plane Bends are sections of high-precision waveguide accuratetaped to either 30° (661), 45° (665), 60° (662), or 90° (660) bends. Special angles, radii, and configurations for particular application can be developed on special order. All E-plane Series Bends are available from 12.4 to 320 GHz.

- Available from 12.4 to 320 GHz
- Additional Radius and Angle Bends by Special Order
- Smooth Precision Bends Minimize Energy Reflections

Applications

The E-plane bends series provide accurate offsets and directional changes in waveguide transmission lines for test and developmental applications. Manufactured to rigid specifications, these transmission line components provide minimum detrimental effects on the overall system VSWR.

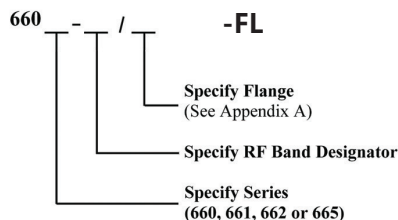


Dimensional Specifications			
Model No.	A		Weight (oz)
	in.	mm	
660Ku, 661Ku, 662Ku	2.00	50.0	2.7
660K, 661K, 662K	1.50	38.1	2.7
660A, 661A, 662A	1.50	38.1	2.5
660B, 661B, 662B	1.50	38.1	2.3
660U, 661U, 662U	1.50	38.1	2.2
660V, 661V, 662V	1.00	25.4	1.7
660E, 661E, 662E	1.00	25.4	1.6
660W, 661W, 662W	1.00	25.4	1.5
660F, 661F, 662F	1.00	25.4	1.1
660D, 661D, 662D	1.00	25.4	0.8
660G, 661G, 662G	1.00	25.4	0.8
665Ku	2.00	50.0	2.4
665K	1.50	38.1	2.4
665A	1.50	38.1	2.5
665B	1.50	38.1	2.3
665U	1.50	38.1	2.2
665V	1.00	25.4	1.7
665E	1.00	25.4	1.6
665W	1.00	25.4	1.5
665F	1.00	25.4	1.0
665D	1.00	25.4	0.8
665G	1.00	25.4	0.8

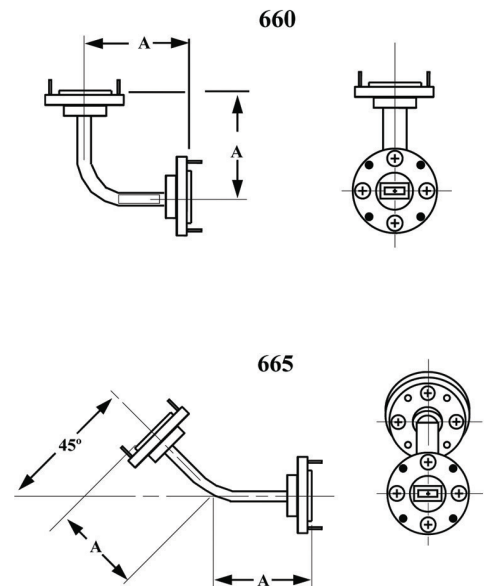
Technical Specifications (typical)		
Model No.	Frequency Band B-Band (GHz)	VSWR
660Ku, 661Ku, 662Ku, 665Ku, 665Ku	12.4–18.0	1.10
660K, 661K, 662K, 665K	18.0–26.5	1.10
660A, 661A, 662A, 665A	26.5–40.0	1.10
660B, 661B, 662B, 665B	33.0–50.0	1.10
660U, 661U, 662U, 665U	40.0–60.0	1.12
660V, 661V, 662V, 665V	50.0–75.0	1.12
660E, 661E, 662E, 665E	60.0–90.0	1.12
660W, 661W, 662W, 665W	75.0–110.0	1.15
660F, 661F, 662F, 665F	90.0–140.0	1.15
660D, 661D, 662D, 665D	110.0–170.0	1.15
660G, 661G, 662G, 665G	140.0–220.0	1.15

* Available in WR-4, WR-3 and WR-2.2 Bands

Ordering Information



Custom Bends Available	
660	90°
661	30°
662	60°
665	45°



670, 671, 672, & 675 Series

H-plane Bends

Description

Mi-Wave's 670, 671, 672, and 675 Series H-e Bends are sections of high-precision waveguide accurately shaped to either 30° (671), 45° (675), 60° (672), or 90° (670). Special angles, radii, and configurations for particular application can be developed on special order. All H-plane bends are available from 12.4 to 320 GHz.

- Available from 12.4 to 320 GHz
- Additional Radius and Angle Bends by Special Order
- Smooth Precision Bends Minimize Energy Reflections

Applications

The H-plane bends series provide accurate offsets and directional changes in waveguide transmission lines for test and developmental applications. Manufactured to rigid specifications, these transmission line components provide minimum detrimental effects on the overall system VSWR.

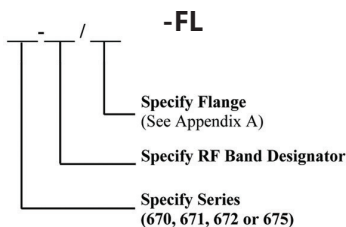


Dimensional Specifications			
Model No.	A		Weight (oz)
	in.	mm	
670Ku, 671Ku, 672Ku	1.80	45.7	2.7
670K, 671K, 672K	1.50	38.1	2.7
670A, 671A, 672A	1.50	38.1	2.5
670B, 671B, 672B	1.50	38.1	2.3
670U, 671U, 672U	1.50	38.1	2.2
670V, 671V, 672V	1.00	25.4	1.7
670E, 671E, 672E	1.00	25.4	1.6
670W, 671W, 672W	1.00	25.4	1.5
670F, 671F, 672F	1.00	25.4	1.1
670D, 671D, 672D	1.00	25.4	0.8
670G, 671G, 672G	1.00	25.4	0.8
675Ku	1.80	45.7	2.4
675K	1.50	38.1	2.4
675A	1.50	38.1	2.5
675B	1.50	38.1	2.3
675U	1.50	38.1	2.2
675V	1.00	25.4	1.7
675E	1.00	25.4	1.6
675W	1.00	25.4	1.5
675F	1.00	25.4	1.1
675D	1.00	25.4	0.8
675G	1.00	25.4	0.8

Technical Specifications (typical)		
Model No.	Frequency Band BBand (GHz)	VSWR
670Ku, 671Ku, 672Ku, 675Ku, 675Ku	12.4–18.0	1.10
670K, 671K, 672K, 675K	18.0–26.5	1.10
670A, 671A, 672A, 675A	26.5–40.0	1.10
670B, 671B, 672B, 675B	33.0–50.0	1.10
670U, 671U, 672U, 675U	40.0–60.0	1.12
670V, 671V, 672V, 675V	50.0–75.0	1.12
670E, 671E, 672E, 675E	60.0–90.0	1.12
670W, 671W, 672W, 675W	75.0–110.0	1.15
670F, 671F, 672F, 675F	90.0–140.0	1.15
670D, 671D, 672D, 675D	110.0–170.0	1.15
670G, 671G, 672G, 675G	140.0–220.0	1.15

* Available in WR-4, WR-3 and WR-2.2 Bands

Ordering Information



Custom Bends Available	
670	90°
671	30°
672	60°
675	45°

