

Description

Mi-Wave's 222 Series Cassegrain Antenna consists of a parabolic reflector, a primary feed, sub-reflector, and a feed support assembly of four low profile aluminum spars that are attached to the rim of the reflector to position the feed.

- *Low VWSR*
- *Aluminum or Fiberglass Construction*
- *High Performance at Millimeter Wave Frequencies*

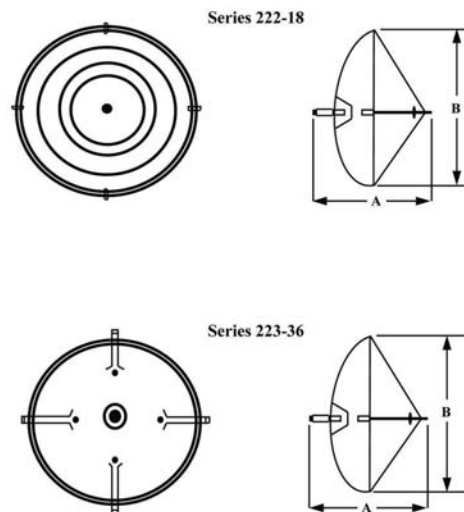
The 223 Series antennas feature metalized fiberglass reflectors and are available from 5.0 to 220 GHz. They offer very high performance in a lightweight antenna structure. These antennas are available in effective diameters of 10 to 84 inches. Because of the low surface tolerance (typically 0.0025 inch RMS) they provide excellent high frequency radiation characteristics.



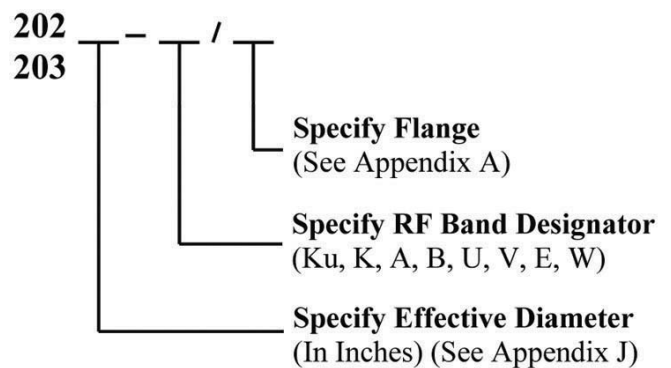
Applications

- Radars
- Satellite Tracking
- Communication Systems

Dimensional Specifications					
Model No.	Effective Diameter	A		B	
	in.	in.	mm	in.	mm
822	12	14	376	12	257
822	18	16	564	18	338
822	24	20	716	28	394
823	18	22.2	564	13.3	338
823	24	28.2	706	15.5	394
823	36	39.1	993	20.9	531
823	48	54.0	1372	23.0	594



Ordering Information



The center frequency should be specified when ordering these antennas.

PLEASE NOTE:

- Larger Diameters Available 60, 72, 84

Please consult Miwave for current dimensions