

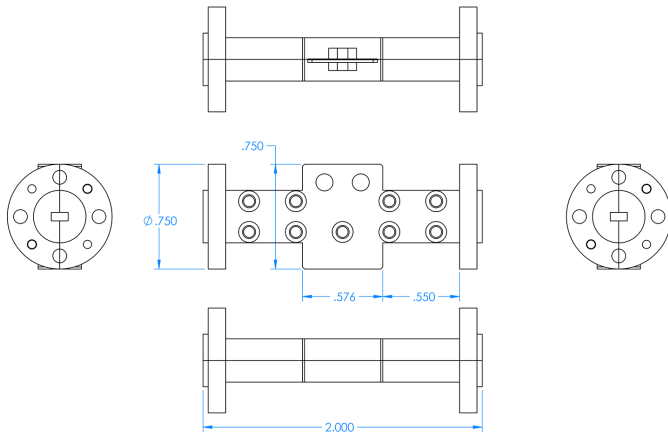
Description

Mi-Wave's 521 Series Fixed Attenuators are available in attenuation values up to 30 dB for each waveguide band from 8 to 220 GHz. Each fixed attenuator is calibrated at the exact frequency specified and is accurate within 0.1 dB or 1%.

- *Wide Range of Accurately Calibrated Values*
- *Available in Every Waveguide Size from 8 to 325 GHz*

Applications

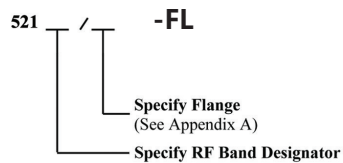
The 521 Series Fixed Attenuators are used in millimeter wave applications that require accurate fixed attenuation levels in waveguide transmission lines. All units are H-plane fixed attenuators. The attenuators are useful for isolating generators from mismatched load effects. They are also used for extending the frequency ranges of power measuring equipment and for accurately reducing signal source output levels.



**CUSTOM
HIGH
POWER
VERSIONS
AVAILABLE**

Dimensional Specifications		
Model No.	A	
	in.	mm
521K	3.00	76.2
521A	2.00	50.8
521B	2.00	50.8
521U	2.00	50.8
521V	2.00	50.8
521E	2.00	50.8
521W	2.00	50.8
521F	2.00	50.8
521D	2.00	50.8
521G	2.00	50.8

Ordering Information



NOTE:
Please specify center frequency at time of order.

Technical Specifications (typical)										
Model No.	521K	521A	521B	521U	521V	521E	521W	521F	521D	521G
Frequency Band (GHz)	18-26.5	26.5-40	33-50	40-60	50-75	60-90	75-110	90-140	110-170	140-220
VSWR Max.	1.15	1.15	1.15	1.15	1.15	1.15	1.20	1.20	1.20	1.30
Attenuation Range (dB) Min.	0-30	0-30	0-30	0-30	0-30	0-30	0-30	0-30	0-30	0-30
Low Power Version(watts) Max.	1.5	1.0	1.0	1.0	0.6	0.6	0.5	0.3	0.2	0.1
High Power Version(watts) Max	10	8	7	6	5	4	3	2	1	0.5
Weight (oz)	1.15	10	1.0	1.0	0.5	0.4	0.3	0.2	0.15	0.1