



MINI-DRO

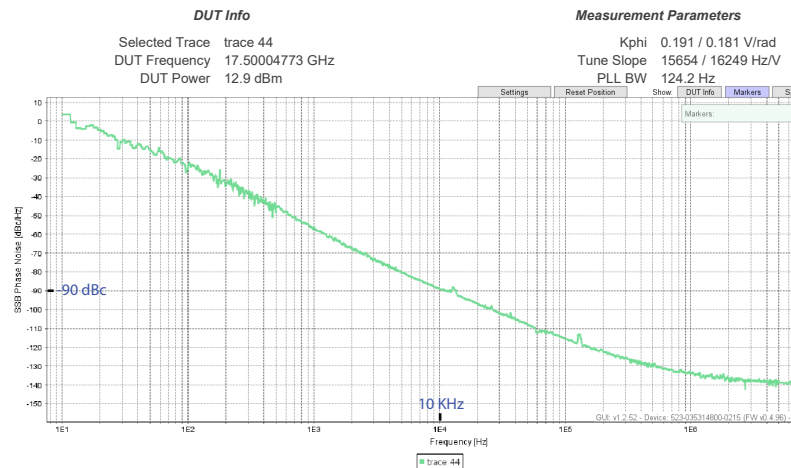
1.2" x 1.2" x .660" PACKAGE



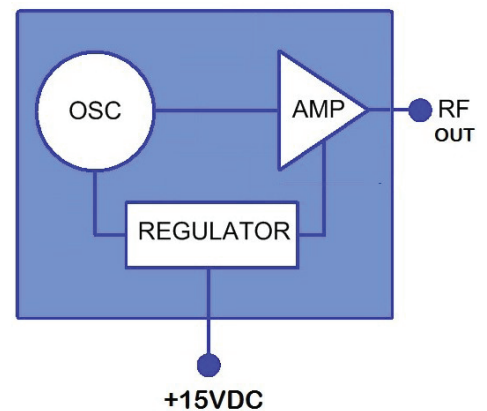
SPECIFICATIONS:

| | |
|-----------------------------|---|
| Model Number | DRO-1500-XX.XX (Where XX.XX is freq.in GHz) |
| Single Frequency | 2.00 to 40.00 GHz |
| Mechanical Tuning Range | 50 MHz |
| Electrical Tuning | Not Available |
| Power Output | +13 dBm, up to +20 dBm Optional |
| Load VSWR, Maximum | 2.0 :1.0 |
| Power Requirements | +15, +12, +8VDC @90mA, max |
| Power Variation | +/-0.5dBm |
| Pushing | 10ppm/V Max. |
| Pulling (12 dB Return Loss) | +/- 90 ppm Max. |
| Frequency Stability | 4 ppm / °C |
| Phase Noise | See Phase Noise Envelope (Fig.A) |
| Spurious | -85 dBc |
| Harmonics | -25 dBc |
| Operating Temperature | 0° to 50° Standard; -55° to +105°C Optional |
| Storage Temperature | -55° to +125°C |
| Connectors | SMA Female |
| Size | 1.2" x 1.2" x .660" |
| Finish | Nickel |

PHASE NOISE ENVELOPE



BLOCK DIAGRAM



OUTLINE DRAWING

